

NET3™

Show Control Gateway Setup Guide

Overview

This Setup Guide will guide you through the setup of the Net3 Show Control Gateway including hardware, electrical and data connections. Software configuration of your gateway is covered separately, please refer to the Gateway Configuration Editor (GCE) Online Help System.

Ethernet Connection

- PoE (IEEE 802.3af)
- 10/100Mbps data speeds
- Auto-sensing
- Auto-negotiation
- RJ45 and etherCON compatible

Menu Button

- Activates the LCD backlight
- Advances display pages

Power Indicator

- Solid blue LED indicates power

Reset Button

- hard reboot

LCD

- Displays gateway status and configuration data

Activity Indicator

- Solid green LED indicates network connection.
- Flashing LED indicates network activity



DC Power Input

- 8-28Vdc
- Positive tip
- 3.5mm barrel
- 5 Watts usage

Strain Relief

- strain relief clip for dc power cable

MIDI Output

SMPTE

MIDI Thru

MIDI Input

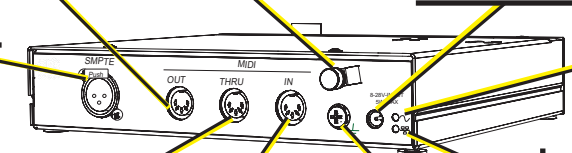
Grounding Post

Power Indicator

- Solid blue LED indicates power

Activity Indicator

- Solid green LED indicates network connection.
- Flashing LED indicates network activity



Inputs and Outputs

Net3 Show Control Gateways connect to Net3 and ACN controls networks for remote connection of Show Control protocols. There are four different port types available on the Show Control Gateway including: SMPTE In, MIDI Input, MIDI Output, and MIDI Thru.

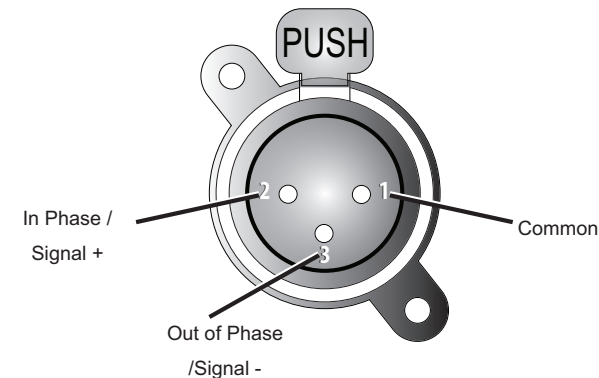
Networking

Net3 Show Control Gateways offer flexibility of layout and distance between your lighting controller and your source of MIDI, including MIDI Show Control and MIDI Timecode or SMPTE. MIDI and SMPTE are limited by a 50-foot maximum cable length. The Show Control Gateway allows you to interface remote devices over Ethernet to your Net3 or ACN control network.

SMPTE Connection

The gateway has a SMPTE (Society of Motion Picture and Television Engineers) input connector. SMPTE timecode is a set of standards to label individual frames of a video or film with a timecode compliant with the SMPTE 12M specification. SMPTE transmits signals to and from automated sound consoles and other devices. The SMPTE interface allows you to interact with supported Net3 or ACN devices based on timecode associated with the running of frames of video.

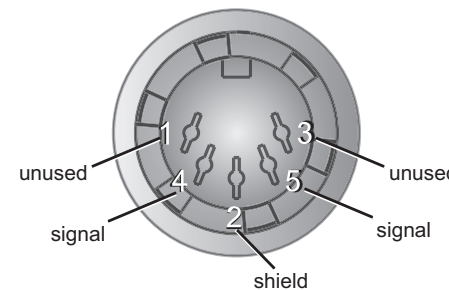
Balanced Audio



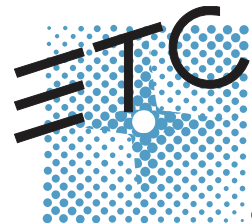
NOTE: This pinout is for a balanced input. For unbalanced input, make the following connections in the user cable: Connect XLR pin 1 and pin 3 together, tying Common to Signal -. The unbalanced signal connects to XLR pin 2, Signal +.

MIDI Connections

The Net3 Show Control Gateway supports sending and receiving MIDI control signals. MIDI (Musical Instrument Digital Interface) enables various types of equipment to communicate, control and synchronize with each other through the transmission of digital data. For MIDI output the signal is generated by the control source (i.e. Eos) and transmitted to the Show Control Gateway using ACN to be output locally at the gateway. The gateway itself does not generate MIDI messages.



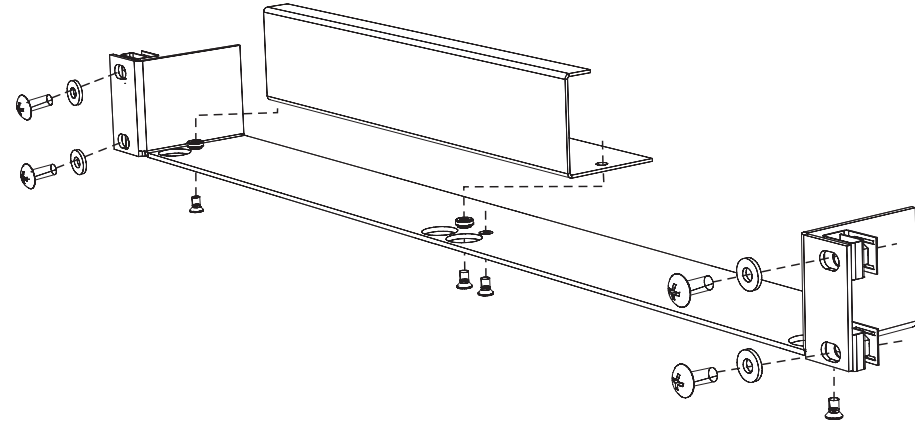
- **MIDI In** - allows communication from a MIDI device to a Net3 or ACN controller through the gateway. The input accepts MIDI Show Control packets and MIDI Time Code.
- **MIDI Out** - allows communication with a MIDI device from a Net3 or ACN control source through the gateway. Outputs MIDI Show Control packets and MIDI Time Code.
- **MIDI Thru** - allows communication between multiple MIDI devices by passing the input through the gateway and back out to another MIDI device.



Optional Accessories

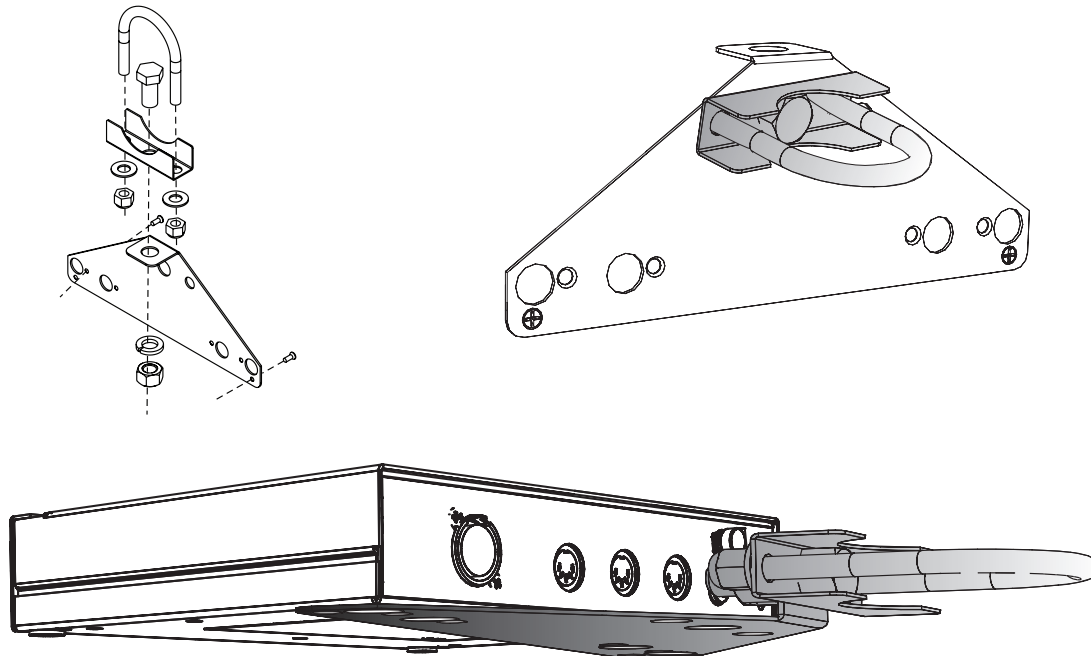
Rack Mount Kit (4260K1001)

The Net3 Gateway Rack Mount kit is capable of holding up to two Net3 gateways for mounting into a standard 19" rack enclosure. If you only need to mount one unit, a blanking plate is provided with the kit. This blanking plate can be installed on either side of the rack mount bracket.



Hanging Hardware Kit (4260K1005)

The Net3 Hanging Hardware kit allows pipe mounting of a Net3 Gateway in a variety of orientations. You can vary the way the U-bolt (or c-clamp) attaches to the bracket and the way the bracket mounts to the gateway. The bracket attaches to any edge on the bottom of your gateway.



Power Up Using DC Power

When using an external power supply, the gateway must be connected to a network before being powered.

Menu Structure

The Net3 Show Control Gateway has a one button interface. Pressing the **[Menu]** button repeatedly cycles through the menu, displaying related data. On certain menu items you are prompted to press and hold the **[Menu]** button for a period of 5 seconds to change a state or setting.

Stage Input	• displays either the gateway name or the IP address.
MIDI TIMECODE 00:00:00:00	• displays the current MIDI timecode.
SMPTE TIMECODE 00:00:00:00	• displays the current SMPTE timecode.
Last MIDI SYSEX RXed	• displays the last MIDI system exclusive packet message received by the gateway.
IP Address 10.101.50.123	• displays the current IP address of the gateway.
Subnet Mask 255.255.0.0	• displays the current Subnet Mask of the gateway.
Gateway IP 10.101.50.103	• displays the current IP address for a network router (or the gateway's own IP address).
Gateway Version v1.0.1.9.0.66	• displays the version number of the software currently running on this device.
Hold button 5 sec to Download Software	• software is retrieved from the current TFTP update server .
Hold button 5 sec to Factory Defaults	• Restoring defaults will cause the gateway to reset all settings to the factory defaults.

Help from ETC Technical Services

If you experience difficulty during setup or installation of the Net3 gateway, additional information is available from www.etcconnect.com, or by contacting ETC Technical Services at your local office listed on the bottom of page 1.