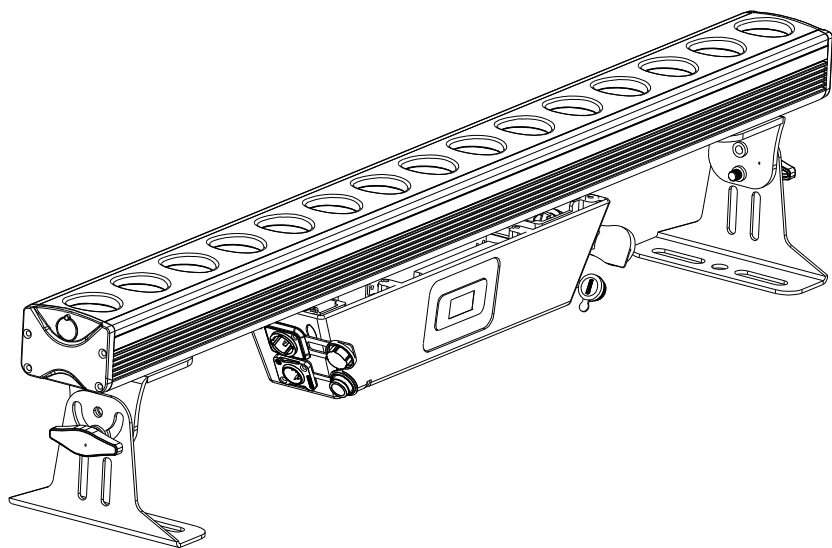


**TRIBE®**

# LUMIPIX 15IP

LINEAR LED BATTEN



USER MANUAL  
MANUALE UTENTE

All rights reserved by Music & Lights S.r.l. No part of this instruction manual may be reproduced in any form or by any means for any commercial use.

In order to improve the quality of products, Music&Lights S.r.l. reserves the right to modify the characteristics stated in this instruction manual at any time and without prior notice.  
All revisions and updates are available in the 'manuals' section on site [www.musiclights.it](http://www.musiclights.it)

**TABLE OF CONTENTS****Safety**

General instructions .....	2
Warnings and installation precautions .....	2

**1 Introduction**

1.1 Description .....	3
1.2 Technical specifications .....	3
1.3 Operating elements and connections .....	5

**2 Installation**

2.1 Mounting .....	6
--------------------	---

**3 Functions and settings**

3.1 Operation .....	7
3.2 Basic .....	7
3.3 Menu structure .....	8
3.4 DMX mode .....	9
3.5 DMX configuration .....	9
3.6 Linking .....	9
3.7 DMX Addressing .....	10
3.8 Static mode .....	10
3.9 DMX control .....	11
3.10 Auto Show .....	14
3.11 Dimmer .....	14
3.12 Master/Slave mode .....	14
3.13 White calibration .....	14
3.14 Wireless settings .....	14
3.15 Display settings .....	15
3.16 Information .....	15
3.17 Factory reload .....	15
3.18 Connection of the DMX line .....	16
3.19 Costruction of DMX termination .....	16

**4 Maintenance**

4.1 Maintenance and cleaning the unit .....	17
4.2 Fuse replacement .....	17
4.3 Trouble shooting .....	17

**Packing content**

- LUMIPIX15IP
- Mount bracket (2pc.)
- Power cable
- User manual




**WARNING!** Before carrying out any operations with the unit, carefully read this instruction manual and keep it with care for future reference. It contains important information about the installation, usage and maintenance of the unit.



## SAFETY

### General instruction

- The products referred to in this manual conform to the European Community Directives and are therefore marked with **CE**.
- The unit is supplied with hazardous network voltage (230V~). Leave servicing to skilled personnel only. Never make any modifications on the unit not described in this instruction manual, otherwise you will risk an electric shock.
- Connection must be made to a power supply system fitted with efficient earthing (Class I appliance according to standard EN 60598-1). It is, moreover, recommended to protect the supply lines of the units from indirect contact and/or shorting to earth by using appropriately sized residual current devices.
- The connection to the main network of electric distribution must be carried out by a qualified electrical installer. Check that the main frequency and voltage correspond to those for which the unit is designed as given on the electrical data label.
- This unit is not for home use, only professional applications.
- Never use the fixture under the following conditions:
  - in places subject to vibrations or bumps;
  - in places with a temperature of over 45 °C.
- Make certain that no inflammable liquids, water or metal objects enter the fixture.
- Do not dismantle or modify the fixture.
- All work must always be carried out by qualified technical personnel. Contact the nearest sales point for an inspection or contact the manufacturer directly.
- If the unit is to be put out of operation definitively, take it to a local recycling  plant for a disposal which is not harmful to the environment.

### Warnings and installation precautions

- If this device will be operated in any way different to the one described in this manual, it may suffer damage and the guarantee becomes void. Furthermore, any other operation may lead to dangers like short circuit, burns, electric shock, etc.
- Before starting any maintenance work or cleaning the projector, cut off power from the main supply.
- Always additionally secure the projector with the safety rope. When carrying out any work, always comply scrupulously with all the regulations (particularly regarding safety) currently in force in the country in which the fixture's being used.
- Install the fixture in a well ventilated place.
- Keep any inflammable material at a safe distance from the fixture.
- Shields, lenses or ultraviolet screens shall be changed if they have become damaged to such an extent that their effectiveness is impaired.
- The lamp (LED) shall be changed if it has become damaged or thermally deformed.
- Never look directly at the light beam. Please note that fast changes in lighting, e. g. flashing light, may trigger epileptic seizures in photosensitive persons or persons with epilepsy.
- Do not touch the product's housing when operating because it may be very hot.

## - 1 - INTRODUCTION

### 1.1 DESCRIPTION

LUMIPIX15IP is a tour-ready LED pixel batten conceived to be fully versatile and perform outdoor, delivering advanced brightness and colour mixing by offering individual pixel control of each cell. The robust die-cast aluminium structure with omega quick lock socket on the bracket and the waterproof power and signal connector make LUMIPIX15IP suitable for the most demanding environments.

### 1.2 TECHNICAL SPECIFICATIONS

#### LIGHT SOURCE

- Source: 15x10W RGBW LEDs
- Luminous flux: 3587lm
- Lux: 4771lux @3m full
- Source life expectancy: >30.000 h

#### OPTICS

- Beam angle: 16°
- Field angle: 30°
- Additional optics: Magnetic Frost holder on board

#### COLOUR SYSTEM

- Colour mixing: RGBW/FC
- CTC: CTC control through independent DMX channel
- White presets: 2800-10'000K
- Colour wheel: virtual colour wheel with presets
- Macros: several pre-build pixel macros with adjustable speed

#### DYNAMIC EFFECTS

- Pixel patterns: pre-programmed dynamic and static patterns
- Static colour mode: selection of static colour
- Manual colour mode: manual adjustment of colour

#### BODY

- Hardware on-board: OMEGA sockets for quick rigging (clamp included)
- Body: sturdy die-cast aluminium body conceived for long-time durability
- Body colour: black

#### CONTROL

- Protocols: DMX512
- DMX channels: 4/6/10/60/65channel
- Pixel control: pixel2pixel control
- W-DMX: included, wireless solution receiver
- Display: black OLED high resolution display
- Firmware upgrade: yes, via USB-DMX interface (UPBOX1) not included
- Master/Slave: for synchronized operation of more units linked in a chain

#### ELECTRONICS

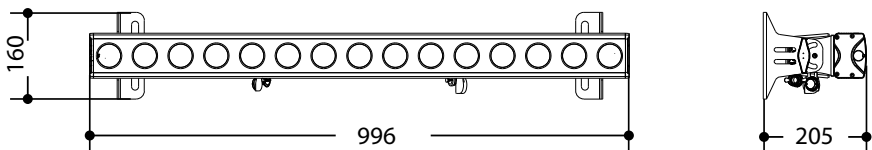
- Dimmer: linear 0~100% electronic dimmer
- Dimmer curves: 4 different dimming curves available
- Strobe / shutter: 0~30 Hz, electronic
- Battery backup: battery backup for user operation without connecting to the main power
- Operating temperature: -10° ~ +45°

**ELECTRICAL**

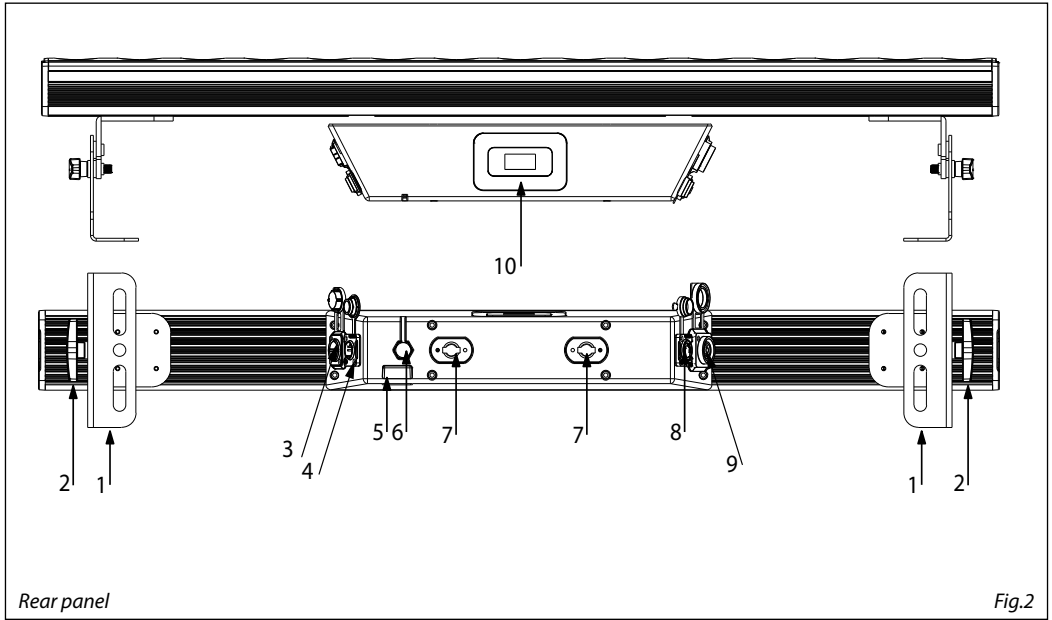
- Power supply: 100-240V – 50/60Hz
- Power consumption (at 230V): 161W
- Power consumption (at 120V): 162W
- Output (at 230V): 23 units on a single power line
- Output (at 120V): 12 units on a single power line

**PHYSICAL**

- Cooling: natural cooling of the peculiar chassis and to absence of fans
- Sospension and fixing: double hanging bracket suitable for safe hanging and for floor positioning
- Signal connection: Seetronic XLR 5p IN/OUT connectors
- Data connection: W-DMX OEM TRX
- Power connection: Seetronic powerCON waterproof IN/OUT connectors
- IP rating: 65 for outdoor installations
- Dimensions (WxHxD): 996x205x160mm
- Weight: 8.6kg

*Technical drawing**Fig.1*

## 1.3 OPERATING ELEMENTS AND CONNECTIONS



Rear panel

Fig.2

1. MOUNTING BRACKET.
2. LOCKING KNOB for the mounting bracket.
3. POWER IN (PowerCON IN): for connection to a socket (100-240V~/50-60Hz) via the supplied mains cable.
4. DMX IN (5-pole XLR):  
1 = ground, 2 = DMX -, 3 = DMX +.
5. SAFETY RING to attach safety cable.
6. GND POINT grounding the fixture to the earth.
7. HOLE for hook.
8. DMX OUT (5-pole XLR): 1 = ground, 2 = DMX-, 3 = DMX+, 4 N/C, 5 N/C.
9. POWER OUT (PowerCON OUT): power output for connection of multiple units in series.
10. CONTROL PANEL with display and 4 button used to access the control panel functions and manage them

## - 2 - INSTALLATION

### 2.1 MOUNTING

LUMIPIX15IP may be set up on a solid and even surface. The unit can also be mounted upside down to a cross arm. For fixing, stable mounting clips are required. The mounting place must be of sufficient stability and be able to support a weight of 10 times of the unit's weight.

When carrying out any installation, always comply scrupulously with all the regulations (particularly regarding safety) currently in force in the country in which the fixture's being used.

- Install the projector at a suitable location by means of the mounting bracket (1).
- Always additionally secure the projector with the safety rope from falling down. For this purpose, fasten the safety rope at a suitable position so that the maximum fall of the projector will be 20 cm.
- Adjust the projector and use the knob (2) to slightly release or tighten the locking mechanism of the bracket if is necessary.

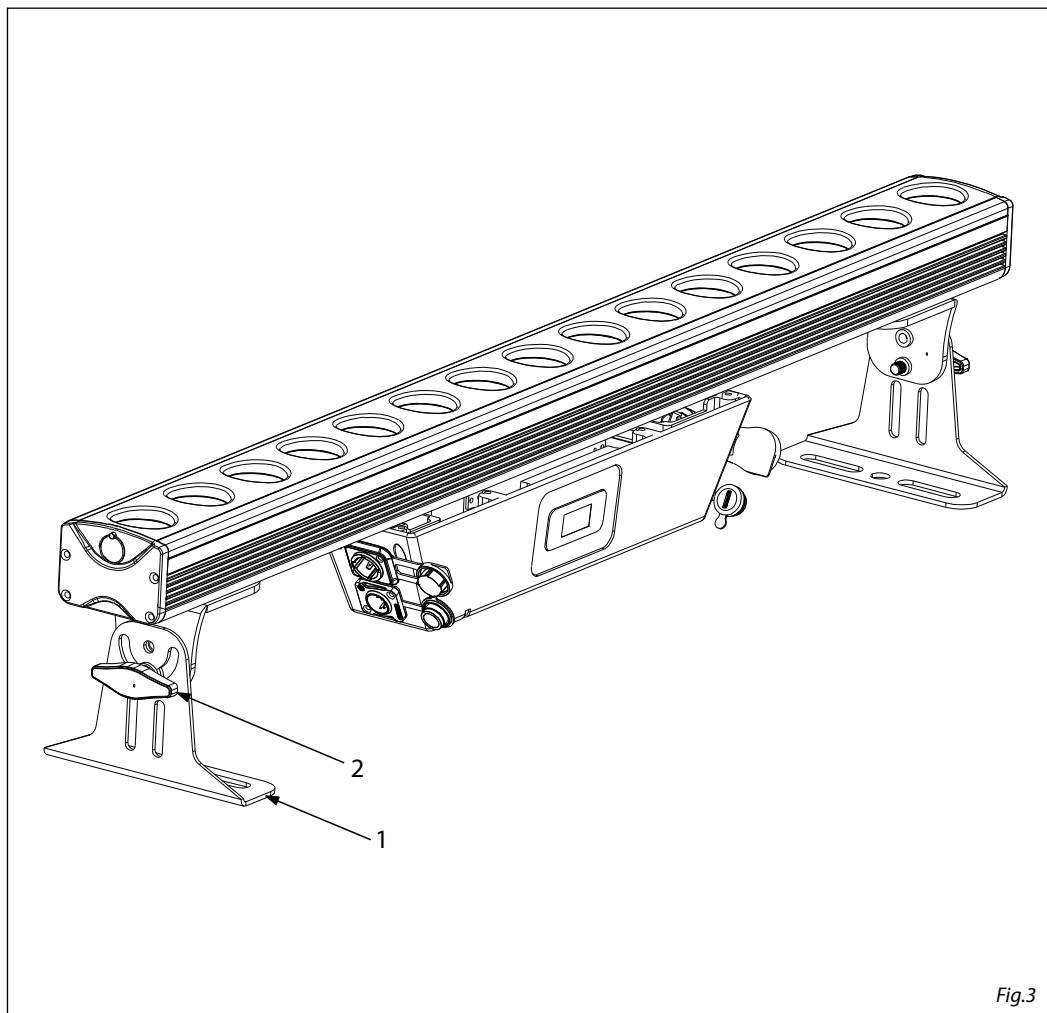


Fig.3



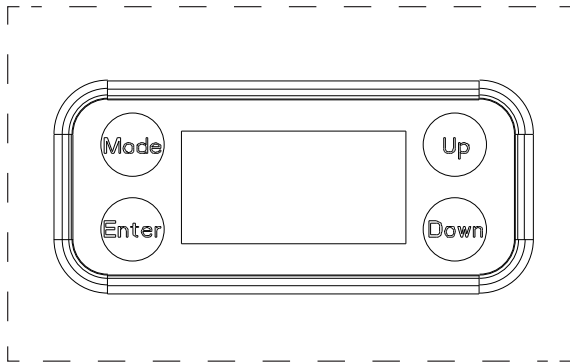
## - 3 - FUNCTIONS AND SETTINGS

### 3.1 OPERATION

Connect the supplied main cable to a socket (110-240V~/50-60Hz). Then the unit is ready for operation and can be operated via a DMX controller or it independently performs its show program in succession. To switch off, disconnect the mains plug from the socket. For a more convenient operation it is recommended to connect the unit to a socket which can be switched on and off via a light switch.

### 3.2 BASIC

The LUMIPIX15IP has a LED display and 4 buttons for access to the functions of the control panel (Fig.3).



MENU	UP	DOWN	ENTER
Used to access the menu or to return a previous menu option	Button to select the values in ascending order of the function	Button to select the values in descending order of the function	Used to select and store the current menu or confirm the current function value or option within a menu

Fig.4 - Functions of the buttons

## 3.3 MENU STRUCTURE

	MENU	Remark
1	<b>DMX Address</b> ⇒ Value (001-512)	Default: 001
2	<b>DMX Channel</b> ⇒ 4 Ch 6 Ch 10 Ch 60 Ch 65 Ch	Default: 10 CH
3	<b>Static</b> ⇒ Fixed Color ⇒ R G B W GB RB RG RGB RW GW BW RGW RBW GBW RGBW Manual Color ⇒ Red (0-255) Green (0-255) Blue (0-255) White (0-255)	Default: RGBW
4	<b>Auto Show</b> ⇒ Auto 1 ⇒ Auto 2 Auto 3 Auto 4 Auto 5 Auto 6 Auto 7 Auto 8 Value (1-100) Auto 9 Auto 10 Auto 11 Auto 12 Auto 13 Auto 14	Default: Auto 14; Speed:100
5	<b>Dimmer Mode</b> ⇒ Off Dimmer 1 Dimmer 2 Dimmer 3	Default: Off

6	<b>Master/Slave</b>	⇒	Master Slave		Default: Slave
7	<b>White Balance</b>	⇒	Off Manual	⇒ Red <125-255> Green <125-255> Blue <125-255> White <125-255>	Default: Off
8	<b>Wireless Setting</b>	⇒	Receive Receive Reset Wireless To DMX	⇒ On Off No Yes No Yes	Default: Off
9	<b>Key Lock</b>	⇒	On Off		Default: On
10	<b>Back Light</b>	⇒	On 10 s 20s 30 s		
11	<b>Information</b>	⇒	Fixture Hours Version	< 9999H > < V1.0 >	
12	<b>Resect Factory</b>	⇒	No Yes		

### 3.4 DMX MODE

- Press the button MENU so many times until the display shows **DMX ADDRESS**, and press the button ENTER to confirm.
- Press UP/DOWN button to select the desired value (**001-512**). Press and hold to scroll quickly.
- Press ENTER button to store.
- Press the MENU button to go back or to meet the waiting time to exit the setup menu.

To able to operate the LUMIPIX151P with a light controller, adjust the DMX start address for the first a DMX channel. If e. g. address 33 on the controller is provided for controlling the function of the first DMX channel, adjust the start address 33 on the LUMIPIX151P. The other functions of the light effect panel are then automatically assigned to the following addresses.

An example with the start address 33 is shown below:

### 3.5 DMX CONFIGURATION

LUMIPIX151P is equipped with different DMX configuration.

- Press the button MENU so many times until shows **DMX CHANNEL**, and press the button ENTER to confirm.
  - Select the desired DMX configuration (**4CH - 6CH - 10 CH - 60 CH - 65 CH**) through the buttons UP/DOWN.
- The tables on page 14 indicate the operating mode and DMX value.

### 3.6 LINKING

Several units may be interconnected in order to control all further slave units to the same effect of the master unit. Use standard DMX cables to daisy chain your units together via the DMX connector on the rear of the units. For longer cable runs we suggest a terminator at the last fixture (see page 12).

1. Connect the DMX OUT of the master unit via 3-pole XLR cable to the DMX IN of the first slave unit.
2. Connect the DMX OUT of the first slave unit to the DMX IN of the second slave unit, etc. until all units are connected in a chain.

### 3.7 DMX ADDRESSING

To able to operate the LUMIPIX15IP with a light controller, adjust the DMX start address for the first a DMX channel. If e. g. address 33 on the controller is provided for controlling the function of the first DMX channel, adjust the start address 33 on the LUMIPIX15IP.

The other functions of the light effect panel are then automatically assigned to the following addresses. An example with the start address 33 is shown below:

Numero canali DMX	Indirizzo di start (esempio)	Indirizzo DMX occupati	Prossimo indirizzo di start possibile per unità n°1	Prossimo indirizzo di start possibile per unità n°2	Prossimo indirizzo di start possibile per unità n°3
6	33	33-38	39	45	51
10	33	33-42	43	53	63

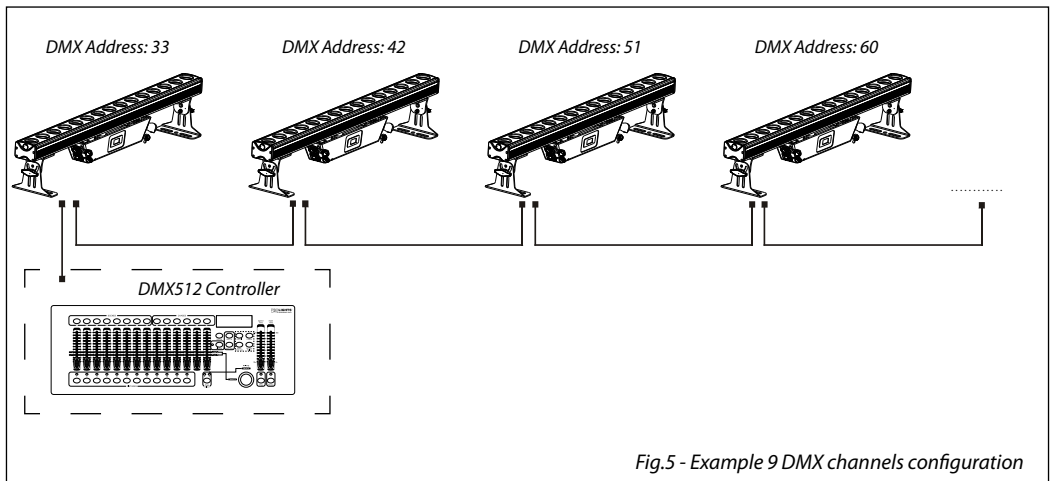


Fig.5 - Example 9 DMX channels configuration

### 3.8 STATIC MODE

This fixture has the ability to accept custom static color settings. Access these chases via the control panel on the back of the fixture.

- Press the button MENU so many times until the display shows **STATIC**, then press the button ENTER.
- Select **Fixed Color** through the buttons UP/DOWN, then press the button ENTER.
- Set the colors **R, G, B, W, GB, RB, RG, RGB, RW, GW, BW, RGW, RBW, GBW, RGBW**, through the buttons UP/DOWN, then press the button ENTER.
- Press the MENU button to go back or to meet the waiting time to exit the setup menu.
- Select **Manual Color Mixer** through the buttons UP/DOWN, then press the button ENTER.
- Set the colors **Red, Green, Blue, White**, through the buttons UP/DOWN, then press the button ENTER.
- Press the MENU button to go back or to meet the waiting time to exit the setup menu.

## 3. 9 DMX CONTROL

## 4 CANALI

MODE 4 Ch	FUNCTION	DMX Value
1	<b>RED</b> 0~100%	000 - 255
2	<b>GREEN</b> 0~100%	000 - 255
3	<b>BLUE</b> 0~100%	000 - 255
4	<b>WHITE</b> 0~100%	000 - 255

## 6 CANALI

MODE 6 Ch	FUNCTION	DMX Value
1	<b>DIMMER</b> 0~100%	000 - 255
2	<b>RED</b> 0~100%	000 - 255
3	<b>GREEN</b> 0~100%	000 - 255
4	<b>BLUE</b> 0~100%	000 - 255
5	<b>WHITE</b> 0~100%	000 - 015 016 - 255
6	<b>STROBE</b> No Function Strobe slow to fast	000 - 010 011 - 255

## 10 CANALI

MODE 10 Ch	FUNCTION	DMX Value
1	<b>DIMMER</b> 0~100%	000 - 255
2	<b>RED</b> 0~100%	000 - 255
3	<b>GREEN</b> 0~100%	000 - 255
4	<b>BLUE</b> 0~100%	000 - 255
5	<b>WHITE</b> 0~100%	000 - 255
6	<b>STROBE</b> No Function Strobe slow to fast	000 - 010 011 - 255
7	<b>COLOR MACROS</b> No Function R 100%, G 0~100%, B 0% R 100%~0%, G 100%, B 0% R 0%, G 100%, B 0~100% R 0% G 100%~0% B 100% R 0%~100% G 0% B 100% R 100% G 0% B 100%~0% R 100% G 0%~100% B 0%~100% R 100%~0% G 100%~0% B 100% R 100% G 100% B 100% W100%	000 - 010 011 - 030 031 - 050 051 - 070 071 - 090 091 - 110 111 - 130 131 - 150 151 - 170 171 - 200
	Color1	201 - 205
	Color2	206 - 210
	Color3	211 - 215
	Color4	216 - 220
	Color5	221 - 225
	Color6	226 - 230
	Color7	231 - 235
	Color8	236 - 240
	Color9	241 - 245
	Color10	246 - 250
	Color11	251 - 255

MODE	FUNCTION	DMX Value
10 Ch		
8	<b>AUTO PROGRAM</b>	
	No Function	000 - 010
	Auto program 1	011 - 027
	Auto program 2	028 - 044
	Auto program 3	045 - 061
	Auto program 4	062 - 078
	Auto program 5	079 - 095
	Auto program 6	096 - 112
	Auto program 7	113 - 129
	Auto program 8	130 - 146
	Auto program 9	147 - 163
	Auto program 10	164 - 180
	Auto program 11	181 - 197
	Auto program 12	198 - 214
Auto program 13	215 - 231	
Auto program 14	232 - 255	
9	<b>AUTO SPEED</b>	
	Auto Speed Slow to Fast	000 - 255
10	<b>DIMMER SPEED MODE</b>	
	Preset dimmer speed from display menu	000 - 051
	Dimmer speed mode off	052 - 101
	Dimmer speed mode1 (fast speed)	102 - 152
	Dimmer speed mode2 (middle speed)	153 - 203
Dimmer speed mode3 (slow speed)	204 - 255	

## 60 CANALI

MODE	FUNCTION	DMX Value
60 Ch		
1	<b>RED 1</b>	
	0~100%	000 - 255
2	<b>GREEN 1</b>	
	0~100%	000 - 255
3	<b>BLUE 1</b>	
	0~100%	000 - 255
4	<b>WHITE 1</b>	
	0~100%	000 - 255
	.....	
57	<b>RED 15</b>	
	0~100%	000 - 255
58	<b>GREEN 15</b>	
	0~100%	000 - 255
59	<b>BLUE 15</b>	
	0~100%	000 - 255
60	<b>WHITE 15</b>	
	0~100%	000 - 255

## 65 CANALI

MODE	FUNCTION	DMX Value
65 Ch		
1	<b>RED 1</b> 0~100%	000 - 255
2	<b>GREEN 1</b> 0~100%	000 - 255
3	<b>BLUE 1</b> 0~100%	000 - 255
4	<b>WHITE 1</b> 0~100%	000 - 255
	.....	
57	<b>RED 15</b> 0~100%	000 - 255
58	<b>GREEN 15</b> 0~100%	000 - 255
59	<b>BLUE 15</b> 0~100%	000 - 255
60	<b>WHITE 15</b> 0~100%	000 - 255
61	<b>AUTO PROGRAM</b> No Function	000 - 010
	Auto program 1	011 - 027
	Auto program 2	028 - 044
	Auto program 3	045 - 061
	Auto program 4	062 - 078
	Auto program 5	079 - 095
	Auto program 6	096 - 112
	Auto program 7	113 - 129
	Auto program 8	130 - 146
	Auto program 9	147 - 163
	Auto program 10	164 - 180
	Auto program 11	181 - 197
	Auto program 12	198 - 214
	Auto program 13	215 - 231
	Auto program 14	232 - 255
62	<b>AUTO SPEED</b> Auto Speed Slow to Fast	000 - 255
63	<b>DIMMER</b> 0~100%	000 - 255

## 65 CANALI

MODE	FUNCTION	DMX Value
65 Ch		
64	<b>STROBE</b> No Function Strobe slow to fast	000 - 010 011 - 255
	<b>DIMMER SPEED MODE</b> Preset dimmer speed from display menu Dimmer speed mode off Dimmer speed mode1 (fast speed) Dimmer speed mode2 (middle speed) Dimmer speed mode3 (slow speed)	000 - 051 052 - 101 102 - 152 153 - 203 204 - 255

### 3. 10 AUTO SHOW

This fixture has a built-in automatic program. To access this, please see the below instructions:

- Press the button MENU so many times until shows **P--**, then press the button ENTER.
- Using UP/DOWN button, select one of the programs **P1 - P14**.
- Press the button ENTER to confirm.
- Press the button MENU until **S--** appears on the display.
- Use the button UP/DOWN to select the auto programs speed **S1 - S100** (slow-fast).
- Press the button ENTER save the setting.

### 3. 11 DIMMER

It is possible to change the parameter value in the following way:

- Enter in Dimmer mode to select specific dimming curve, press the button MENU so many times until shows **DIM MODE**, and press the button ENTER to confirm.
- Press the button UP/DOWN to select **OFF - DIM1 - DIM2 - DIM3**.
- Press ENTER button to store.
- Press the MENU button to go back or to meet the waiting time to exit the setup menu.

### 3. 12 MASTER/SLAVE MODE

This mode will allow you to link up the units together without a controller. Choose a unit to function as the Master. The unit must be the first unit in line; other units will work as slave.

- Use standard DMX cables to daisy chain your units together via the DMX connector on the rear of the units. For longer cable runs we suggest a terminator at the last fixture (see page 13).
- Use any one of the standalone modes for the master unit.
- Set the slaves to the same DMX modes.

### 3. 13 WHITE CALIBRATION

- Press the button MENU then press the button UP/DOWN so many times until show **WHITE CALIBRATION**. Press the button ENTER to confirm.
- Select the color **Red, Green, Blue, White** through the buttons UP/DOWN. Press the button ENTER to confirm.
- Set the value (125 - 255), using the buttons UP/DOWN.
- Continue until the desired setting is obtained.
- Press the MENU button to go back or to meet the waiting time to exit the setup menu.

### 3. 14 WIRELESS CONTROL SETTINGS

To change the settings of wireless control, proceed as follows:

- Press the ENTER button to access the main menu.
- Press the UP/DOWN button to scroll through the menu, select **Wireless Setting**, and press the ENTER button to enter the next menu.
- Press the UP/DOWN button to select the option proposed and press the ENTER button to confirm your choice.
  - **Receive** - Disable/enable the DMX signal cable. Select OFF to deactivate or ON to activate the function.
  - **Receive Reset** - Reset the wireless connection of the unit. Select NO to deactivate or Yes to activate the function.
- Press the ENTER button to confirm your choice.
- Press the LEFT button repeatedly to exit the menu and save changes.

To activate the **Wireless to DMX** function, use the UP/DOWN buttons to press the ENTER button until the display shows **Wireless Setting**, then press the ENTER button.

- Select the Wireless to DMX function using the UP/DOWN buttons, then press the ENTER button.



- To activate the mode use the UP/DOWN buttons and select the Yes option.
- Press the ENTER button to confirm the selection.
- Press the LEFT button to go back or wait a few seconds to exit the setup menu.

### 3.15 DISPLAY SETTINGS

You can change the following parameters related to the display, following the same procedure:

- Press the ENTER button to access the main menu.
- Press the UP / DOWN keys to scroll the menu, select the Setup icon, then press the ENTER button to enter the next menu.
- Press UP / DOWN to scroll through the menu, then select UI Set, and press the ENTER button to enter the next menu.
- Press UP / DOWN to scroll through the menu, and then select one of the following settings for the display and press the ENTER key to display it.
  - **Back Light** - Backlight display Auto Off. This feature allows you to automatically turn off the backlight after a specified time that you can set using the arrow buttons. To have the display always on select **Always On** or set a value of 01-99 min to turn off the display after the amount of time you choose.
  - **Key Lock** - Lock keys. With this function, you can lock the buttons on the control panel. If this function is activated, the keys are automatically locked. To disable or temporarily disable the key lock function, press the buttons in the following order to regain access to menu commands: UP, DOWN, LEFT, RIGHT, ENTER. Select ON to activate or OFF to disable.
- Press the ENTER button to confirm your choice.
- Press the LEFT button repeatedly to exit the menu and save changes.

### 3.16 INFORMATION

To view all the information on the device, proceed as follows:

- Press the ENTER button to access the main menu.
- Press the UP/DOWN button to scroll the menu, select the icon **Information**, then press the ENTER button to enter the next menu.
- Press the UP/DOWN button to scroll through the menu, then select one of the following information and press the ENTER button to display it.
  - **Time Information** - Through the Time Information function you can display the operating time of the projector.
  - **Software Version** - Through Software Version function you can display the currently installed software version.
- Press the LEFT button repeatedly to exit the menu.

### 3.17 FACTORY RELOAD

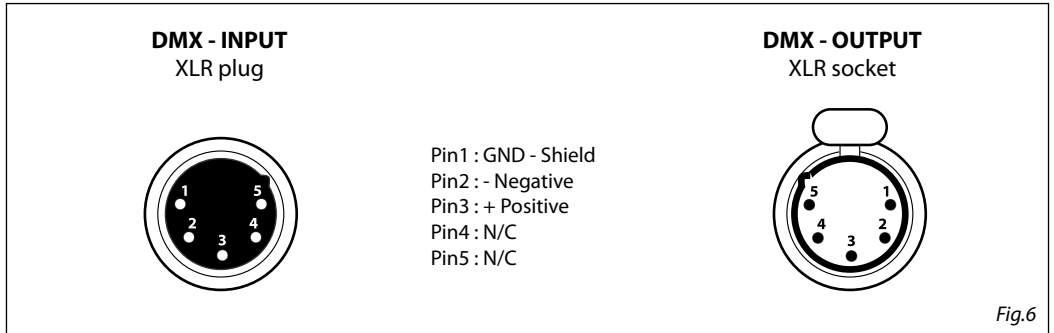
Select this function to restore the drive to default settings:

- To activate **Factory Reload** display press the button MENU so many times until shows **Reset Factory**, and press the button ENTER to confirm.
- Press ENTER button to confirm the selection.
- Press the MENU button to go back or to meet the waiting time to exit from the setup menu automatically.

### 3.18 CONNECTION OF THE DMX LINE

DMX connection employs standard XLR connectors. Use shielded pair-twisted cables with 120Ω impedance and low capacity.

The following diagram shows the connection mode:



#### ATTENTION

The screened parts of the cable (sleeve) must never be connected to the system's earth, as this would cause faulty fixture and controller operation.

Over long runs can be necessary to insert a DMX level matching amplifier.

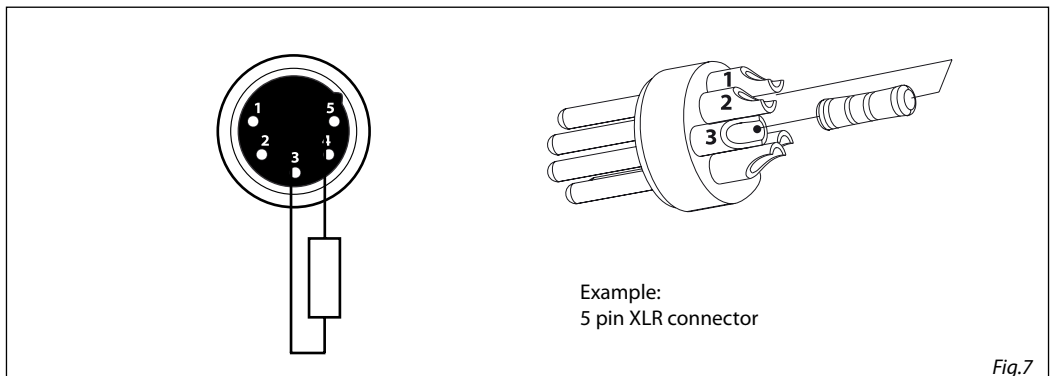
For those connections the use of balanced microphone cable is not recommended because it cannot transmit control DMX data reliably.

- Connect the controller DMX input to the DMX output of the first unit.
- Connect the DMX output to the DMX input of the following unit. Connect again the output to the input of the following unit until all the units are connected in chain.
- When the signal cable has to run longer distance is recommended to insert a DMX termination on the last unit.

### 3.19 CONSTRUCTION OF THE DMX TERMINATION

The termination avoids the risk of DMX 512 signals being reflected back along the cable when they reach the end of the line: under certain conditions and with certain cable lengths, this could cause them to cancel the original signals.

The termination is prepared by soldering a 120Ω 1/4 W resistor between pins 2 and 3 of the 5-pin male XLR connector, as shown in figure.



## - 4 - MAINTENANCE

### 4.1 MAINTENANCE AND CLEANING THE UNIT

- Make sure the area below the installation place is free from unwanted persons during setup.
- Switch off the unit, unplug the main cable and wait until the unit has cooled down.
- All screws used for installing the device and any of its parts should be tightly fastened and should not be corroded.
- Housings, fixations and installation spots (ceiling, trusses, suspensions) should be totally free from any deformation.
- The main cables must be in impeccable condition and should be replaced immediately even when a small problem is detected.
- It is recommended to clean the front at regular intervals, from impurities caused by dust, smoke, or other particles to ensure that the light is radiated at maximum brightness. For cleaning, disconnect the main plug from the socket. Use a soft, clean cloth moistened with a mild detergent. Then carefully wipe the part dry. For cleaning other housing parts use only a soft, clean cloth. Never use a liquid, it might penetrate the unit and cause damage to it.

### 4.3 TROUBLESHOOTING

Problems	Possible causes	Checks and remedies
Fixture does not light up	<ul style="list-style-type: none"> <li>• No mains supply</li> <li>• Dimmer fader set to 0</li> <li>• All color faders set to 0</li> <li>• Faulty LED</li> <li>• Faulty LED board</li> </ul>	<ul style="list-style-type: none"> <li>• Check the power supply voltage</li> <li>• Increase the value of the dimmer channels</li> <li>• Increase the value of the color channels</li> <li>• Replace the LED board</li> <li>• Replace the LED board</li> </ul>
General low light intensity	<ul style="list-style-type: none"> <li>• Dirty lens assembly</li> <li>• Misaligned lens assembly</li> </ul>	<ul style="list-style-type: none"> <li>• Clean the fixture regularly</li> <li>• Install lens assembly properly</li> </ul>
Fixture does not power up	<ul style="list-style-type: none"> <li>• No power</li> <li>• Loose or damaged power cord</li> <li>• Faulty internal power supply</li> </ul>	<ul style="list-style-type: none"> <li>• Check for power on power outlet</li> <li>• Check power cord</li> <li>• Replace internal power supply</li> </ul>
Fixture does not respond to DMX	<ul style="list-style-type: none"> <li>• Wrong DMX addressing</li> <li>• Damaged DMX cables</li> <li>• Bouncing signals</li> </ul>	<ul style="list-style-type: none"> <li>• Check control panel and unit addressing</li> <li>• Check DMX cables</li> <li>• Install terminator as suggested</li> </ul>

Contact an authorized service center in case of technical problems or not reported in the table can not be resolved by the procedure given in the table.

Music & Lights S.r.l. si riserva ogni diritto di elaborazione in qualsiasi forma delle presenti istruzioni per l'uso.  
La riproduzione - anche parziale - per propri scopi commerciali è vietata.

Al fine di migliorare la qualità dei prodotti, la Music&Lights S.r.l. si riserva la facoltà di modificare, in qualunque momento e senza preavviso, le specifiche menzionate nel presente manuale di istruzioni.  
Tutte le revisioni e gli aggiornamenti sono disponibili nella sezione 'Manuali' sul sito [www.musiclights.it](http://www.musiclights.it)

<b>INDICE</b>	<b>Sicurezza</b>	
	Avvertenze generali .....	4
	Attenzioni e precauzioni per l'installazione .....	4
	<b>1 Introduzione</b>	
	1. 1 Descrizione .....	5
	1. 2 Specifiche tecniche .....	5
	1. 3 Elementi di comando e di collegamento .....	7
	<b>2 Installazione</b>	
	2. 1 Montaggio .....	8
	<b>3 Funzioni e impostazioni</b>	
	3. 1 Funzionamento .....	9
	3. 2 Impostazione base .....	9
	3. 3 Struttura menu .....	10
	3. 4 Modalità DMX .....	11
	3. 5 Configurazione canali DMX .....	11
	3. 6 Collegamento .....	11
	3. 7 Indirizzamento DMX .....	12
	3. 8 Modalità Statica .....	12
	3. 9 Canali DMX .....	13
	3. 10 Autoshow .....	16
	3. 11 Dimmer mode .....	16
	3. 12 Modalità Master/Slave .....	16
	3. 13 Bilanciamento bianco .....	16
	3. 14 Impostazione Wireless .....	16
	3. 15 Key Lock .....	17
	3. 16 Backlight .....	17
	3. 17 Informazioni dispositivo .....	17
	3. 18 Reset factory .....	17
	3. 19 Collegamenti della linea DMX .....	18
	3. 20 Costruzione del terminatore DMX .....	18
	<b>4 Manutenzione</b>	
	4. 1 Manutenzione e pulizia del sistema ottico .....	19
	4. 2 Sostituzione fusibile .....	19
	4. 3 Risoluzione dei problemi .....	19

---

**Contenuto dell'imballo:**

- LUMIPIX15IP
  - Staffa di fissaggio (2pz.)
  - Cavo di alimentazione
  - Manuale utente
-




**ATTENZIONE!** Prima di effettuare qualsiasi operazione con l'unità, leggere con attenzione questo manuale e conservarlo accuratamente per riferimenti futuri. Contiene informazioni importanti riguardo l'installazione, l'uso e la manutenzione dell'unità.



## SICUREZZA

### Avvertenze generali

- I prodotti a cui questo manuale si riferisce sono conformi alle Direttive della Comunità Europea e pertanto recano la sigla **CE**.
- Il dispositivo funziona con pericolosa tensione di rete 230V~. Non intervenire mai al suo interno al di fuori delle operazioni descritte nel presente manuale; esiste il pericolo di una scarica elettrica.
- È obbligatorio effettuare il collegamento ad un impianto di alimentazione dotato di un'efficiente messa a terra (apparecchio di Classe I secondo norma EN 60598-1). Si raccomanda, inoltre, di proteggere le linee di alimentazione delle unità dai contatti indiretti e/o cortocircuiti verso massa tramite l'uso di interruttori differenziali opportunamente dimensionati.
- Le operazioni di collegamento alla rete di distribuzione dell'energia elettrica devono essere effettuate da un installatore elettrico qualificato. Verificare che frequenza e tensione della rete corrispondono alla frequenza ed alla tensione per cui l'unità è predisposta, indicate sulla targhetta dei dati elettrici.
- L'unità non per uso domestico, solo per uso professionale.
- Evitare di utilizzare l'unità:
  - in luoghi soggetti a vibrazioni, o a possibili urti;
  - in luoghi a temperatura superiore ai 45°C.
- Evitare che nell'unità penetrino liquidi infiammabili, acqua o oggetti metallici.
- Non smontare e non apportare modifiche all'unità.
- Tutti gli interventi devono essere sempre e solo effettuati da personale tecnico qualificato. Rivolgersi al più vicino centro di assistenza tecnica autorizzato.
- Se si desidera eliminare il dispositivo definitivamente, consegnarlo  per lo smaltimento ad un'istituzione locale per il riciclaggio.

### Attenzioni e precauzioni per l'installazione

- Se il dispositivo dovesse trovarsi ad operare in condizioni differenti da quelle descritte nel presente manuale, potrebbero verificarsi dei danni; in tal caso la garanzia verrebbe a decadere. Inoltre, ogni altra operazione potrebbe provocare cortocircuiti, incendi, scosse elettriche, rotture etc.
- Prima di iniziare qualsiasi operazione di manutenzione o pulizia sull'unità togliere la tensione dalla rete di alimentazione.
- È assolutamente necessario proteggere l'unità per mezzo di una fune di sicurezza. Nell'eseguire qualsiasi intervento attenersi scrupolosamente a tutte le normative (in materia di sicurezza) vigenti nel paese di utilizzo.
- Installare l'unità in un luogo ben ventilato.
- Mantenere i materiali infiammabili ad una distanza di sicurezza dall'unità.
- I filtri, le lenti o gli schermi ultravioletti se danneggiati possono limitare la loro efficienza.
- I LED devono essere sostituiti se danneggiati o termicamente deformati.
- Non guardare direttamente il fascio luminoso. Tenete presente che i veloci cambi di luce possono provocare attacchi d'epilessia presso persone fotosensibili o epilettiche.
- Non toccare l'alloggiamento del prodotto quando è in funzione perché potrebbe essere molto caldo.

## - 1 - INTRODUZIONE

### 1.1 DESCRIZIONE

LUMIPIX 15IP è una barra LED pixel Tour-ready concepita per l'utilizzo anche in esterno offrendo luminosità e color mixing avanzate, offrendo il controllo individuale di ciascun pixel. La robusta struttura in alluminio pressofuso con attacco Omega quick lock sulla staffa e il connettore di alimentazione e segnale impermeabile consentono a LUMIPIX 15IP di essere adatto anche agli ambienti più esigenti.

### 1.2 SPECIFICHE TECNICHE

#### **SORGENTE LUMINOSA**

- Sorgente: 15x10W RGBW LEDs
- Flusso luminoso: 3587lm
- Lux: 4771lux @3m full
- Durata media sorgente: >30.000 h

#### **OTTICA**

- Angolo di proiezione: 16°
- Angolo di campo: 30°
- Ottiche aggiuntive: Magnetic Frost holder on board

#### **SISTEMA COLORE**

- Miscelazione del colore: RGBW/FC
- CTC: controllo CTC tramite canale DMX indipendente
- Preset bianchi: 2800-10'000K
- Ruota colori: ruota colori virtuale con preset
- Macros: pixel macro con controllo di velocità e intensità incorporate

#### **EFFETTI DINAMICI**

- Pixel pattern: modelli pre-programmati dinamici e statici
- Modalità colore statico: riproduzione statica di un colore
- Modalità colore manuale: regolazione manuale di un colore

#### **CORPO**

- Hardware a bordo: prese OMEGA per armamento rapido (morsetto incluso)
- Corpo: corpo in alluminio pressofuso ad alta resistenza
- Colore: nero

#### **CONTROLLO**

- Protocolli: DMX512
- Canali DMX: 4/6/10/60/65channel
- Pixel control: controllo pixel2pixel
- W-DMX: integrato, ricevitore ad antenna (2.4 GHz) by Wireless Solution Sweden
- Display: display black OLED ad alta risoluzione
- Aggiornamento firmware: sì, con interfaccia USB-DMX (UPBOX1) non inclusa
- Master/Slave: per il controllo di più unità collegate in catena

#### **ELETTRONICA**

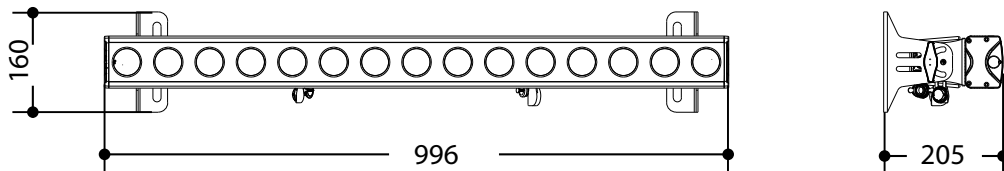
- Dimmer: 0~100% lineare, elettronico
- Curve dimmer: 4 curve dimmer regolabili
- Strobe / shutter: 0~30 Hz, elettronico
- Batteria di backup: batteria tampone per l'accesso al menu anche senza alimentazione
- Temperatura d'esercizio: -10° ~ +45°

**ALIMENTAZIONE**

- Alimentazione elettrica: 100-240V – 50/60Hz
- Potenza assorbita (a 230V): 161W
- Potenza assorbita (a 120V): 162W
- Output (a 230V): 23 unità connesse in serie
- Output (a 120V): 12 unità connesse in serie

**CARATTERISTICHE FISICHE**

- Raffreddamento: proiettore privo di ventole e struttura disegnata per una dissipazione a convezione naturale
- Sospensione e fissaggio: doppia staffa per il fissaggio in sospensione e per il posizionamento del proiettore da terra
- Connessione di segnale:
- Connessione dati: W-DMX OEM TRX
- Connessione di alimentazione: Seetronic powerKon waterproof IN/OUT connectors
- Grado IP: 65 per installazioni outdoor
- Dimensioni (LxAxP): 996x205x160mm
- Peso: 8.6kg

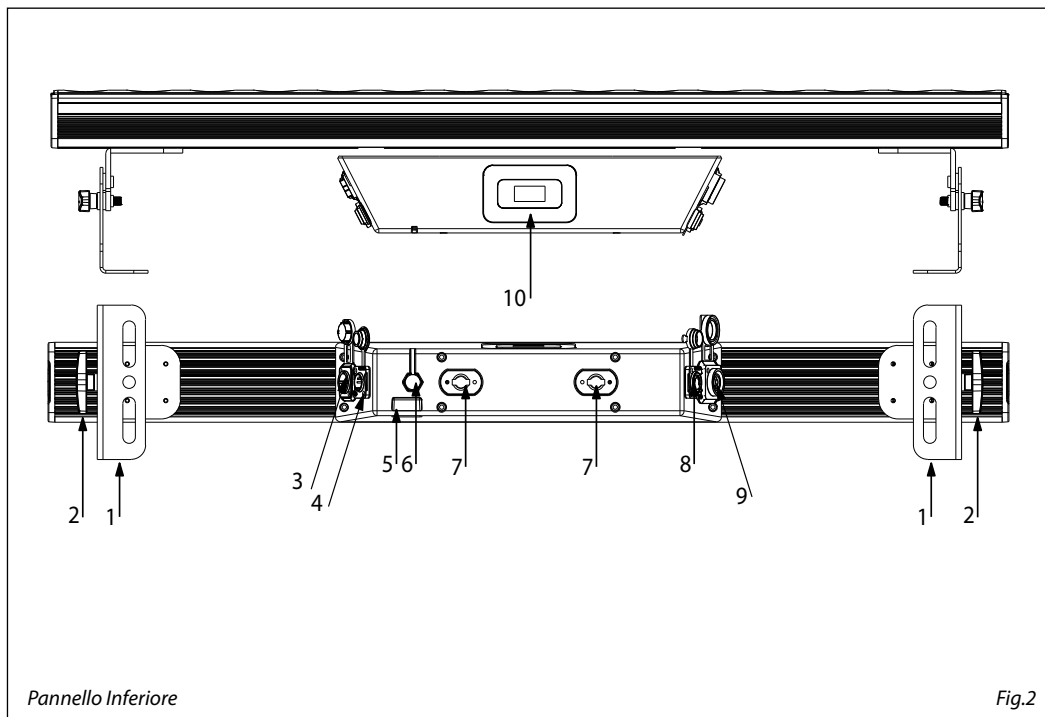


Disegno tecnico

Fig.1



## 1.3 ELEMENTI DI COMANDO E COLLEGAMENTI



1. STAFFA DI MONTAGGIO.
2. MANOPOLA DI FISSAGGIO per la staffa di montaggio.
3. POWER IN (PowerCON IN): per il collegamento ad una presa di rete (100-240V~/50-60Hz) tramite il cavo rete in dotazione.
4. DMX IN (XLR a 5 poli): 1 = massa, 2 = DMX -, 3 = DMX +, 4 N/C, 5 N/C.
5. SAFETY EYE per l'aggancio al cavo di sicurezza.
6. GND POINT usato per la messa a terra del dispositivo.
7. FORO per gancio.
8. DMX OUT (XLR a 5 poli):  
1= massa, 2 = DMX -, 3 = DMX +, 4 N/C, 5 N/C
9. POWER OUT (PowerCON OUT): per il collegamento ad una presa di rete (100-240V~/50-60Hz) tramite il cavo rete in dotazione.
10. PANNELLO DI CONTROLLO con display e 4 pulsanti per accesso e gestione delle diverse funzioni.

## - 2 - INSTALLAZIONE

### 2.1 MONTAGGIO

Il LUMIPIX 15IP può essere collocato su un piano solido. Inoltre, grazie alle possibilità di fissaggio sulla doppia staffa (fig.3), l'unità può essere montata anche a testa in giù, su una traversa. Per il fissaggio occorrono dei supporti robusti per il montaggio. L'area di collocazione deve avere una stabilità sufficiente e supportare almeno 10 volte il peso dell'unità.

Inoltre assicurarsi di rispettare tutte le avvertenze in materia di sicurezza.

- Fissare il proiettore attraverso l'apposita staffa (1) ad una collocazione idonea.
- È assolutamente necessario assicurare il proiettore contro la caduta utilizzando un cavo di sicurezza: in particolare collegare il cavo in un punto adatto in modo che la caduta del proiettore non possa superare i 20 cm.
- Orientare il proiettore intervenendo, se necessario, sulla manopola della staffa di montaggio (2).

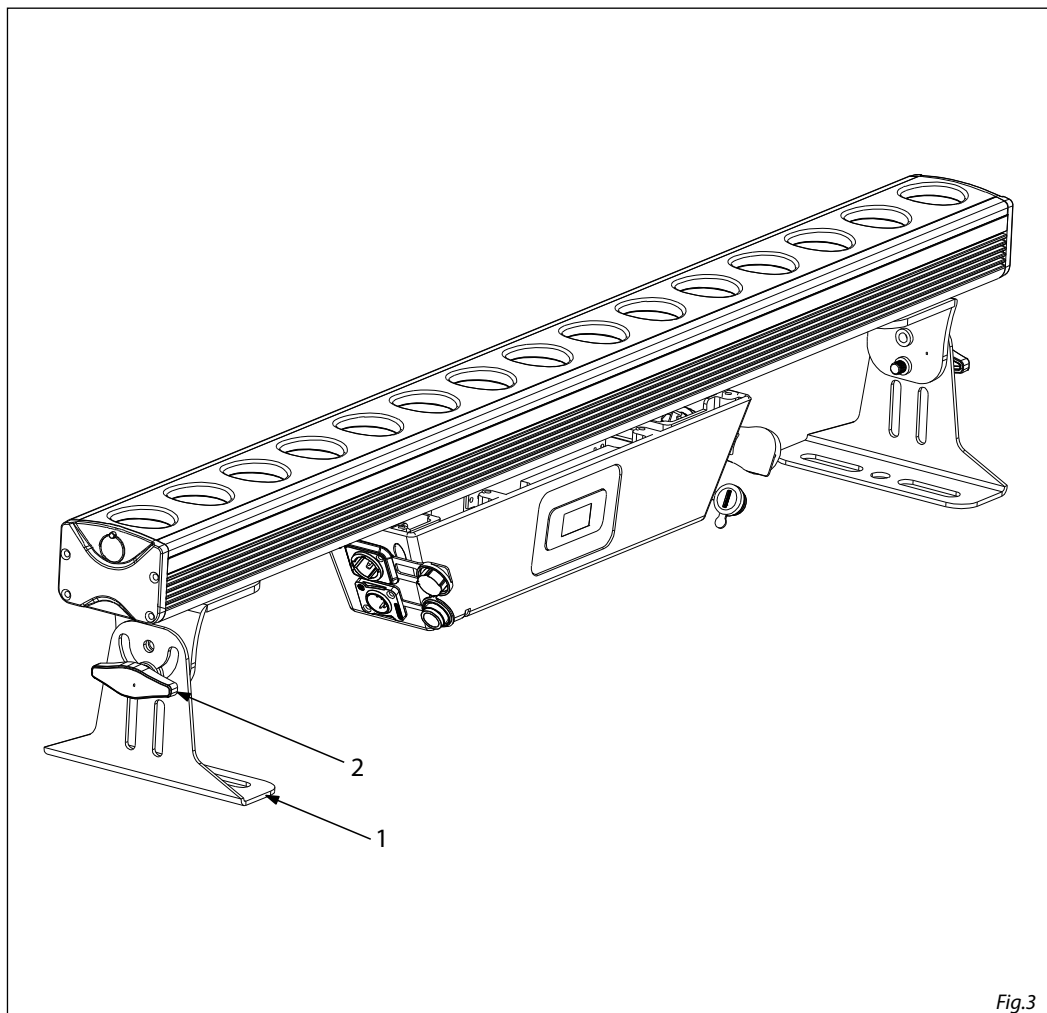


Fig.3

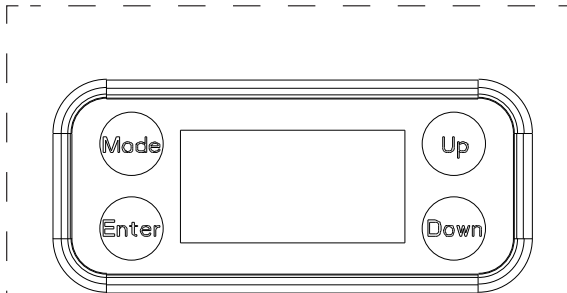
## - 3 - FUNZIONI E IMPOSTAZIONI

### 3.1 FUNZIONAMENTO

Per accendere il LUMIPIX 15IP, inserire la spina del cavo di alimentazione in una presa di rete (110-240V~/50-60Hz). L'unità può essere comandata da un unità DMX di comando luce oppure svolgere autonomamente il suo programma. Per spegnere il LUMIPIX 15IP, staccare la spina dalla presa di rete. Per maggiore comodità è consigliabile collegare l'unità con una presa comandata da un interruttore.

### 3.2 IMPOSTAZIONE BASE

Il LUMIPIX 15IP dispone di un LED display e 4 pulsanti per accesso alle funzioni del pannello di controllo (fig.4).



MENU	UP	DOWN	ENTER
Per scorrere il menu principale o tornare ad una opzione del menu precedente	Per scorrere attraverso le diverse funzioni in ordine discendente o aumentare il valore della funzione stessa	Per scorrere attraverso le diverse funzioni in ordine ascendente o diminuire il valore della funzione stessa	Per entrare nel menu selezionato o confermare il valore attuale della funzione o l'opzione all'interno di un menu

Fig.4 - Funzione dei tasti

## 3.3 STRUTTURA MENU

	MENU	Remark
1	<b>DMX Address</b> ⇒ Value (001-512)	Default: 001
2	<b>DMX Channel</b> ⇒ 4 Ch 6 Ch 10 Ch 60 Ch 65 Ch	Default: 10 CH
3	<b>Static</b> ⇒ Fixed Color R G B W GB RB RG ⇒ RGB RW GW BW RGW RBW GBW RGBW Red (0-255) Manual Color ⇒ Green (0-255) Blue (0-255) White (0-255)	Default: RGBW
4	<b>Auto Show</b> ⇒ Auto 1 Auto 2 Auto 3 Auto 4 Auto 5 Auto 6 Auto 7 ⇒ Value (1-100) Auto 8 Auto 9 Auto 10 Auto 11 Auto 12 Auto 13 Auto 14	Default: Auto 14; Speed:100
5	<b>Dimmer Mode</b> ⇒ Off Dimmer 1 Dimmer 2 Dimmer 3	Default: Off

6	<b>Master/Slave</b>	⇒	Master Slave		Default: Slave
7	<b>White Balance</b>	⇒	Off Manual	⇒ Red <125-255> Green <125-255> Blue <125-255> White <125-255>	Default: Off
8	<b>Wireless Setting</b>	⇒	Receive Receive Reset Wireless To DMX	⇒ On Off No Yes No Yes	Default: Off
9	<b>Key Lock</b>	⇒	On Off		Default: On
10	<b>Back Light</b>	⇒	On 10 s 20s 30 s		
11	<b>Information</b>	⇒	Fixture Hours Version	< 9999H > < V1.0 >	
12	<b>Resect Factory</b>	⇒	No Yes		

### 3.4 MODALITÀ DMX

- Per impostare l'indirizzo DMX, premere il tasto MENU fino a quando sul display non appare **Dmx Address**, quindi premere il tasto ENTER.
- Premere il tasto UP/DOWN per selezionare il valore desiderato (**001-512**); tenere premuto invece il tasto UP/DOWN per lo scorrimento veloce. Premere il tasto ENTER per confermare l'impostazione.

Per poter comandare il LUMIPIX15IP con un'unità di comando luce, occorre impostare l'indirizzo di start DMX per il primo canale DMX. Se, per esempio, sull'unità di comando è previsto l'indirizzo 33 per comandare la funzione del primo canale DMX, si deve impostare sul LUMIPIX15IP l'indirizzo di start 33. Le altre funzioni del pannello saranno assegnate automaticamente agli indirizzi successivi. Segue un esempio con indirizzo 33 di start:

### 3.5 CONFIGURAZIONE CANALI DMX

Il LUMIPIX15IP dispone di diverse configurazioni dei canali DMX a cui si può accedere dal pannello di controllo.

- Premere il tasto MENU fino a quando sul display non appare **Dmx Channel**, quindi premere il tasto ENTER.
- Attraverso i tasti UP/DOWN selezionare la configurazione dei canali DMX che si desidera (**4CH - 6CH - 10CH - 60CH - 65CH**). Premere il tasto ENTER per confermare.

Le tabelle a pagina indicano le modalità di funzionamento e i relativi valori DMX.

### 3.6 COLLEGAMENTO

Si possono collegare più unità affinché tutte le unità secondarie abbiano lo stesso effetto luce dell'unità principale (Master). Servirsi dei connettori DMX del LUMIPIX15IP e di un cavo XLR per formare una catena di unità. In certe condizioni e lunghezze si consiglia di effettuare una terminazione come mostrato a pagina 14.

1. Collegare l'uscita DMX OUT dell'unità principale con l'ingresso DMX IN della prima unità secondaria servendosi di un cavo XLR a 3 poli.
2. Collegare l'uscita DMX OUT della prima unità secondaria con l'ingresso DMX IN della seconda unità secondaria ecc.

### 3.7 INDIRIZZAMENTO DMX

Per poter comandare il LUMIPIX15IP con un'unità di comando luce, occorre impostare l'indirizzo di start DMX per il primo canale DMX. Se, per esempio, sull'unità di comando è previsto l'indirizzo 33 per comandare la funzione del primo canale DMX, si deve impostare sul LUMIPIX15IP l'indirizzo di start 33. Le altre funzioni del pannello saranno assegnate automaticamente agli indirizzi successivi.

Numero canali DMX	Indirizzo di start (esempio)	Indirizzo DMX occupati	Prossimo indirizzo di start possibile per unità n°1	Prossimo indirizzo di start possibile per unità n°2	Prossimo indirizzo di start possibile per unità n°3
6	33	33-38	39	45	51
10	33	33-42	43	53	63

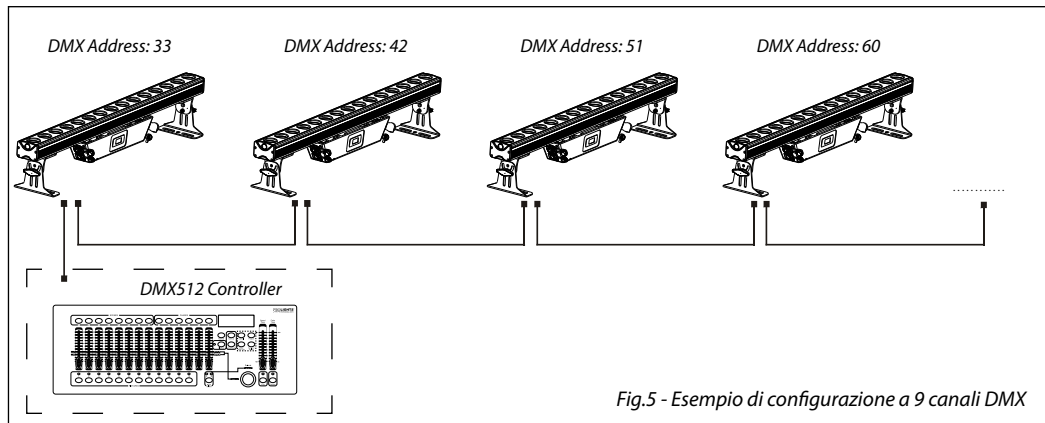


Fig.5 - Esempio di configurazione a 9 canali DMX

### 3.8 MODALITÀ STATICA

L'unità dispone di preset colori pre-programmati che possono essere impostati attraverso la seguente procedura:

- Premere il tasto MENU fino a quando sul display non appare **STATIC**, quindi premere il tasto ENTER.
- Selezionare **Fixed Color** attraverso i tasti UP/DOWN, quindi premere il tasto ENTER.
- Impostare i colori **R, G, B, W, GB, RB, RG, RGB, RW, GW, BW, RGW, RBW, GBW, RGBW** attraverso i tasti UP/DOWN, quindi premere il tasto ENTER.
- Premere il tasto MENU per tornare indietro o attendere alcuni secondi per uscire dal menu di impostazione.
- Selezionare **Manual Color** attraverso i tasti UP/DOWN, quindi premere il tasto ENTER.
- Impostare i colori **Red, Green, Blue, White**, attraverso i tasti UP/DOWN, quindi premere il tasto ENTER ed impostare il valore desiderato.
- Premere il tasto MENU per tornare indietro o attendere alcuni secondi per uscire dal menu di impostazione.

## 3. 9 CANALI DMX

## 4 CANALI

MODE 4 Ch	FUNCTION	DMX Value
1	<b>RED</b> 0~100%	000 - 255
2	<b>GREEN</b> 0~100%	000 - 255
3	<b>BLUE</b> 0~100%	000 - 255
4	<b>WHITE</b> 0~100%	000 - 255

## 6 CANALI

MODE 6 Ch	FUNCTION	DMX Value
1	<b>DIMMER</b> 0~100%	000 - 255
2	<b>RED</b> 0~100%	000 - 255
3	<b>GREEN</b> 0~100%	000 - 255
4	<b>BLUE</b> 0~100%	000 - 255
5	<b>WHITE</b> 0~100%	000 - 015 016 - 255
6	<b>STROBE</b> No Function Strobe slow to fast	000 - 010 011 - 255

## 10 CANALI

MODE 10 Ch	FUNCTION	DMX Value
1	<b>DIMMER</b> 0~100%	000 - 255
2	<b>RED</b> 0~100%	000 - 255
3	<b>GREEN</b> 0~100%	000 - 255
4	<b>BLUE</b> 0~100%	000 - 255
5	<b>WHITE</b> 0~100%	000 - 255
6	<b>STROBE</b> No Function Strobe slow to fast	000 - 010 011 - 255
7	<b>COLOR MACROS</b> No Function R 100%, G 0~100%, B 0% R 100%~0%, G 100%, B 0% R 0%, G 100%, B 0~100% R 0% G 100%~0% B 100% R 0%~100% G 0% B 100% R 100% G 0% B 100%~0% R 100% G 0%~100% B 0%~100% R 100%~0% G 100%~0% B 100% R 100% G 100% B 100% W100%	000 - 010 011 - 030 031 - 050 051 - 070 071 - 090 091 - 110 111 - 130 131 - 150 151 - 170 171 - 200
	Color1	201 - 205
	Color2	206 - 210
	Color3	211 - 215
	Color4	216 - 220
	Color5	221 - 225
	Color6	226 - 230
	Color7	231 - 235
	Color8	236 - 240
	Color9	241 - 245
	Color10	246 - 250
	Color11	251 - 255

MODE 10 Ch	FUNCTION	DMX Value
8	<b>AUTO PROGRAM</b>	
	No Function	000 - 010
	Auto program 1	011 - 027
	Auto program 2	028 - 044
	Auto program 3	045 - 061
	Auto program 4	062 - 078
	Auto program 5	079 - 095
	Auto program 6	096 - 112
	Auto program 7	113 - 129
	Auto program 8	130 - 146
	Auto program 9	147 - 163
	Auto program 10	164 - 180
	Auto program 11	181 - 197
	Auto program 12	198 - 214
Auto program 13	215 - 231	
Auto program 14	232 - 255	
9	<b>AUTO SPEED</b>	
	Auto Speed Slow to Fast	000 - 255
10	<b>DIMMER SPEED MODE</b>	
	Preset dimmer speed from display menu	000 - 051
	Dimmer speed mode off	052 - 101
	Dimmer speed mode1 (fast speed)	102 - 152
	Dimmer speed mode2 (middle speed)	153 - 203
Dimmer speed mode3 (slow speed)	204 - 255	

## 60 CANALI

MODE 60 Ch	FUNCTION	DMX Value
1	<b>RED 1</b> 0~100%	000 - 255
2	<b>GREEN 1</b> 0~100%	000 - 255
3	<b>BLUE 1</b> 0~100%	000 - 255
4	<b>WHITE 1</b> 0~100%	000 - 255
	.....	
57	<b>RED 15</b> 0~100%	000 - 255
58	<b>GREEN 15</b> 0~100%	000 - 255
59	<b>BLUE 15</b> 0~100%	000 - 255
60	<b>WHITE 15</b> 0~100%	000 - 255



## 65 CANALI

MODE	FUNCTION	DMX Value
65 Ch		
1	<b>RED 1</b> 0~100%	000 - 255
2	<b>GREEN 1</b> 0~100%	000 - 255
3	<b>BLUE 1</b> 0~100%	000 - 255
4	<b>WHITE 1</b> 0~100%	000 - 255
	.....	
57	<b>RED 15</b> 0~100%	000 - 255
58	<b>GREEN 15</b> 0~100%	000 - 255
59	<b>BLUE 15</b> 0~100%	000 - 255
60	<b>WHITE 15</b> 0~100%	000 - 255
61	<b>AUTO PROGRAM</b> No Function	000 - 010
	Auto program 1	011 - 027
	Auto program 2	028 - 044
	Auto program 3	045 - 061
	Auto program 4	062 - 078
	Auto program 5	079 - 095
	Auto program 6	096 - 112
	Auto program 7	113 - 129
	Auto program 8	130 - 146
	Auto program 9	147 - 163
	Auto program 10	164 - 180
	Auto program 11	181 - 197
	Auto program 12	198 - 214
	Auto program 13	215 - 231
	Auto program 14	232 - 255
62	<b>AUTO SPEED</b> Auto Speed slow to fast	000 - 255
63	<b>DIMMER</b> 0~100%	000 - 255

## 65 CANALI

MODE	FUNCTION	DMX Value
65 Ch		
64	<b>STROBE</b> No Function	000 - 010
	Strobe slow to fast	011 - 255
65	<b>DIMMER SPEED MODE</b> Preset dimmer speed from display menu	000 - 051
	Dimmer speed mode off	052 - 101
	Dimmer speed mode1 (fast speed)	102 - 152
	Dimmer speed mode2 (middle speed)	153 - 203
	Dimmer speed mode3 (slow speed)	204 - 255

### 3. 10 AUTOSHOW

Per entrare nella modalità automatica e permettere all'unità di svolgere il suo programma Show autonomamente:

- Premere il tasto MENU fino a quando sul display non appare **Auto Show**.
- Usare i tasti UP/DOWN per selezionare il programma **Auto1 ~ Auto14**.
- L'unità entrerà nella modalità automatica mandando in esecuzione il programma pre-impostato per il quale è possibile regolare la velocità di esecuzione.
- Per impostare la velocità di esecuzione premere il tasto MENU fino a quando sul display non appare **S--**, quindi utilizzare i tasti UP/DOWN per selezionare la velocità di esecuzione desiderata **S1 - S100** (Slow-Fast).
- Premere il tasto ENTER per salvare l'impostazione.
- Premere il tasto MENU per tornare indietro o attendere alcuni secondi per uscire dal menu di impostazione.

### 3. 11 DIMMER MODE

Per entrare nella modalità dimmer e scegliere e simulare diverse curve dimming, scorrere nel MENU fino a quando sul display non compare **DIM MODE**, quindi premere il tasto ENTER.

- Premere il tasto UP/DOWN per selezionare (**OFF - DIM1 - DIM2 - DIM3**).
- Premere il tasto ENTER per confermare la scelta.
- Premere il tasto MENU per tornare indietro o attendere alcuni secondi per uscire dal menu di impostazione.

### 3. 12 MODALITÀ MASTER/SLAVE

Questa modalità consente di collegare in linea più unità LUMIPIX151P senza un controller. La prima sarà impostata come master e le altre come slave.

- Servirsi dei connettori DMX del LUMIPIX151P e di un cavo XLR per formare una catena di unità. In certe condizioni e lunghezze si consiglia di effettuare una terminazione come mostrato a pagina 15.
- Sull'unità master selezionare una delle modalità standalone.
- Impostare sulle unità slave la stessa configurazione canali DMX e lo stesso indirizzo.

### 3. 13 BILANCIAMENTO BIANCO

- Per impostare il bilanciamento del bianco premere il tasto MENU fino a quando sul display non appare **White Balance**, quindi premere il tasto ENTER.
- Premere il tasto UP/DOWN per selezionare una delle seguenti impostazioni: **Red, Green, Blue, White**. Poi premere il tasto ENTER.
- Utilizzare i tasti UP/DOWN per impostare il valore desiderato **125 - 255**.
- Premere il tasto MENU per tornare indietro o attendere alcuni secondi per uscire dal menu di impostazione.

### 3. 14 IMPOSTAZIONI WIRELESS

- Per entrare nella modalità impostazione wireless premere il tasto MENU fino a quando sul display non appare **Wireless Setting**, quindi premere il tasto ENTER.
- Selezionare la funzione **Wireless Receive** attraverso i tasti UP/DOWN, quindi premere il tasto ENTER.
- Per attivare la modalità di ricezione wireless utilizzare i tasti UP/DOWN e selezionare l'opzione **On**.
- Premere il tasto ENTER per confermare la scelta.
- Premere il tasto MENU per tornare indietro o attendere alcuni secondi per uscire dal menu di impostazione.

NOTA - Una volta eseguiti questi passi, bisogna effettuare la sincronizzazione con l'eventuale unità wifi con la quale si vuole comunicare premendo il pulsante di sincronizzazione presente sulla stessa. A questo punto collegare l'eventuale console DMX all'unità wifi per aprire la comunicazione con lo LUMIPIX151P

- Per effettuare il reset dell'unità selezionare invece la funzione **Wireless Reset** attraverso i tasti UP/DOWN, quindi premere il tasto ENTER.

- Per eseguire l'operazione utilizzare i tasti UP/DOWN e selezionare l'opzione **Yes**.
- Premere il tasto ENTER per confermare la scelta.
- Premere il tasto MENU per tornare indietro o attendere alcuni secondi per uscire dal menu di impostazione.

Per attivare la funzione **Wireless to DMX** premere il tasto ENTER fino a quando sul display non appare **Wireless Setting**, quindi premere il tasto ENTER.

- Selezionare la funzione **Wireless to DMX** attraverso i tasti UP/DOWN, quindi premere il tasto ENTER.
- Per attivare la modalità utilizzare i tasti UP/DOWN e selezionare l'opzione **Yes**.
- Premere il tasto ENTER per confermare la scelta.
- Premere il tasto LEFT per tornare indietro o attendere alcuni secondi per uscire dal menu di impostazione

### 3.15 KEY LOCK

È possibile modificare i seguenti parametri, relativi al display, seguendo la medesima procedura:

- Premere il tasto ENTER per accedere al menu principale.
  - **Key lock** - Blocco tasti. Con questa funzione è possibile bloccare i tasti del pannello di controllo, per evitare, ad esempio, manomissioni delle impostazioni. Se questa funzione viene attivata, i tasti vengono bloccati automaticamente. Per disattivare o temporaneamente o disattivare la funzione di blocco tasti, premere i tasti nel seguente ordine per riottenere l'accesso ai comandi di menu: SU, GIÙ, SU, GIÙ, ENTER, ENTER. Selezionare **ON** per attivare la funzione oppure **Off** per disattivarla.
- Premere il tasto ENTER per confermare la scelta.
- Premere il tasto MENU più volte per uscire dal menu e per salvare le modifiche apportate.

### 3.16 BACKLIGHT

- Premere il tasto ENTER per accedere al menu principale.
- Selezionare l'opzione proposta con il tasto UP/DOWN e premere il tasto ENTER per confermare.
  - **Backlight** - Retroilluminazione display Auto Off. Questa funzione permette di spegnere automaticamente la retroilluminazione del display dopo un determinato tempo che può essere impostato tramite i tasti direzionali. Per avere il display sempre acceso seleziona **Always On** oppure impostare un valore tra quelli indicati per far spegnere il display una volta trascorso il tempo scelto, dopo l'uscita dal menu.
- Premere il tasto ENTER per confermare la scelta.
- Premere il tasto MENU più volte per uscire dal menu e per salvare le modifiche apportate.

### 3.17 INFORMAZIONI SUL DISPOSITIVO

Per visualizzare tutte le informazioni sul dispositivo procedere nel seguente modo:

- Premere il tasto ENTER per accedere al menu principale.
- Premere il tasto UP/DOWN per selezionare l'icona **Information**, quindi premere il tasto ENTER per accedere al menu successivo.
- Premere il tasto UP/DOWN e selezionare una delle seguenti e premere il tasto ENTER per visualizzarla.
  - **Fixture Time** - Attraverso la funzione **Fixture Time** è possibile visualizzare sul display il tempo di funzionamento del proiettore.
  - **Version** - Attraverso la funzione **Version** è possibile visualizzare sul display la versione del software installata.
- Premere il tasto MENU più volte per uscire dal menu.

### 3.18 RESET FACTORY

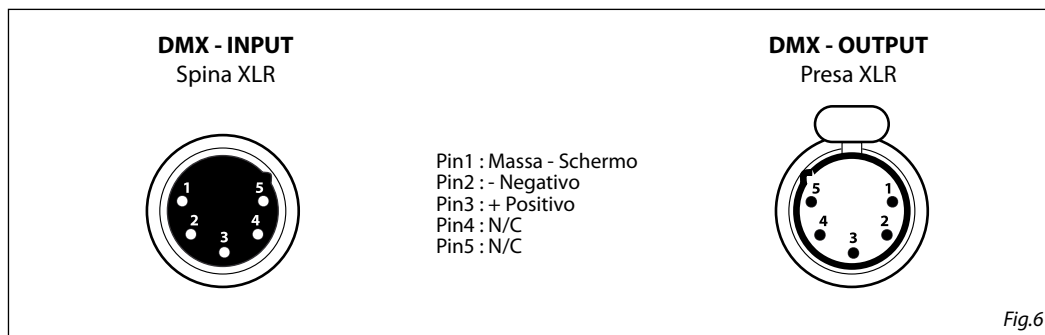
Selezionare questa funzione per ripristinare l'unità alle impostazioni di fabbrica:

- Premere il tasto ENTER per accedere al menu principale.
- Premere il tasto UP/DOWN per selezionare **Reset Factory** e premere il tasto ENTER per procedere.
- Premere i tasti UP/DOWN per selezionare **Yes** oppure **No**, quindi premere il tasto ENTER per confermare

### 3. 19 COLLEGAMENTI DELLA LINEA DMX

La connessione DMX è realizzata con connettori standard XLR. Utilizzare cavi schermati, 2 poli ritorti, con impedenza 120Ω e bassa capacità.

Per il collegamento fare riferimento allo schema di connessione riportato di seguito:



#### ATTENZIONE

La parte schermata del cavo (calza) non deve mai essere collegata alla terra dell'impianto; ciò comporterebbe malfunzionamenti delle unità e dei controller.

Per passaggi lunghi può essere necessario l'inserimento di un amplificatore DMX.

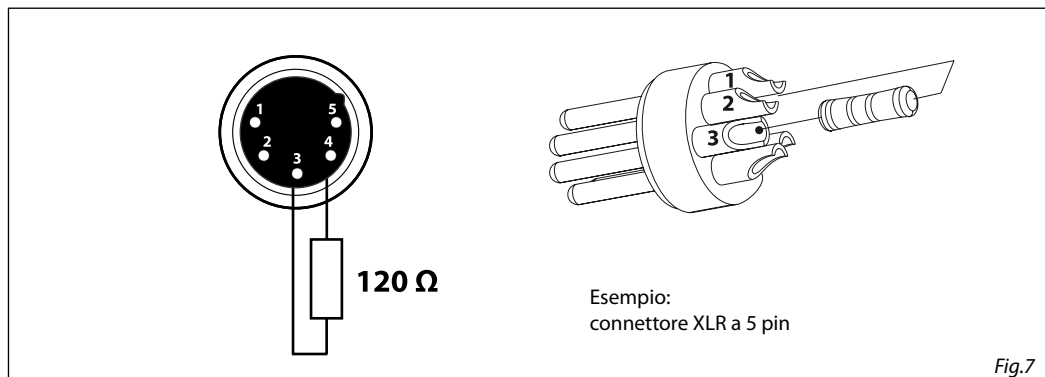
In tal caso, è sconsigliato utilizzare nei collegamenti cavo bilanciato microfonico poiché non è in grado di trasmettere in modo affidabile i dati di controllo DMX.

- Collegare l'uscita DMX del controller con l'ingresso DMX della prima unità;
- Collegare, quindi, l'uscita DMX con l'ingresso DMX della successiva unità; l'uscita di quest'ultima con l'ingresso di quella successiva e via dicendo finché tutte le unità sono collegate formando una catena.
- Per installazioni in cui il cavo di segnale deve percorrere lunghe distanze è consigliato inserire sull'ultima unità una terminazione DMX.

### 3. 20 COSTRUZIONE DEL TERMINATORE DMX

La terminazione evita la probabilità che il segnale DMX 512, una volta raggiunta la fine della linea stessa venga riflesso indietro lungo il cavo, provocando, in certe condizioni e lunghezze, la sua sovrapposizione al segnale originale e la sua cancellazione.

La terminazione deve essere effettuata, sull'ultima unità della catena, con connettori XLR a 3 pin, saldando una resistenza di 120Ω (minimo 1/4W) tra i terminali 2 e 3, così come indicato in figura.



## - 4 - MANUTENZIONE

### 4.1 MANUTENZIONE E PULIZIA DEL SISTEMA OTTICO

- Durante gli interventi, assicurarsi che l'area sotto il luogo di installazione sia libera da personale non qualificato.
- Spegnerne l'unità, scollegare il cavo di alimentazione ed aspettare finché l'unità non si sia raffreddata.
- Tutte le viti utilizzate per l'installazione dell'unità e le sue parti devono essere assicurate saldamente e non devono essere corrose.
- Alloggiamenti, elementi di fissaggio e di installazione (soffitto, truss, sospensioni) devono essere totalmente esenti da qualsiasi deformazione.
- I cavi di alimentazione devono essere in condizione impeccabile e devono essere sostituiti immediatamente nel momento in cui anche un piccolo problema viene rilevato.
- Si dovrebbe procedere, ad intervalli regolari, alla pulizia della parte frontale per asportare polvere, fumo e altre particelle. Solo così, la luce può essere irradiata con la luminosità massima. Per la pulizia usare un panno morbido, pulito e un detergente per vetri come si trovano in commercio. Quindi asciugare le parti delicatamente.

### 4.3 RISOLUZIONE DEI PROBLEMI

Anomalie	Possibili cause	Controlli e rimedi
Il proiettore non illumina	<ul style="list-style-type: none"> <li>• Mancanza di alimentazione di rete</li> <li>• Dimmer impostato a 0</li> <li>• Tutti i colori impostati a 0</li> <li>• LED difettoso/i</li> <li>• Scheda LED difettosa</li> </ul>	<ul style="list-style-type: none"> <li>• Verificare la presenza della tensione alimentazione</li> <li>• Incrementare i valori del canale dimmer</li> <li>• Incrementare i valori dei canali colori</li> <li>• Sostituire scheda LED</li> <li>• Sostituire scheda LED</li> </ul>
Bassa intensità di luce generale	<ul style="list-style-type: none"> <li>• Lenti sporche</li> <li>• Lente disallineata</li> </ul>	<ul style="list-style-type: none"> <li>• Pulire il dispositivo regolarmente</li> <li>• Installare il gruppo ottico correttamente</li> </ul>
Il proiettore non è alimentato	<ul style="list-style-type: none"> <li>• Mancanza di alimentazione di rete</li> <li>• Cavo di alimentazione danneggiato</li> <li>• Alimentatore interno difettoso</li> </ul>	<ul style="list-style-type: none"> <li>• Verificare la presenza della tensione alimentazione</li> <li>• Controllare il cavo di alimentazione</li> <li>• Sostituire l'alimentatore interno</li> </ul>
Il proiettore non risponde al DMX	<ul style="list-style-type: none"> <li>• Indirizzamento DMX errato</li> <li>• Cavo di segnale DMX difettoso</li> <li>• Rimbalzo segnale DMX</li> </ul>	<ul style="list-style-type: none"> <li>• Controllare il pannello di controllo e l'indirizzamento delle unità</li> <li>• Controllare il cavo di segnale DMX</li> <li>• Installare una terminazione DMX come suggerito</li> </ul>

Rivolgersi a un centro di assistenza tecnico autorizzato nel caso in cui il problema non sia riportato in tabella.





**TRIBE** è un brand di proprietà della Music & Lights S.r.l.

**TRIBE** is a brand of Music & Lights S.r.l. company.

©2019 Music & Lights S.r.l.

